

---

## MF Series LED Fluorescence Illuminator



MF series LED fluorescence illuminator features with built-in color LEDs as light source. Providing friendly fluorescence upgrade solution for basic fluorescence microscope users. By the modular illumination you can easily upgrade a traditional infinity upright biological microscope to fluorescence functional. It is compatible with laboratory microscopes Olympus, Nikon, Leica, Zeiss and others.

### Features

- Compact design of all in one unit
- Continuously adjustable brightness with rotatable knob
- No need preheating or cooling, open to use
- Accurate controlling of different color lighting
- One-stop operation of light source synchronous switching with filter groups
- No required of external or added power supply
- Safety, environment friendly and human friendly
- Coated precision-cast aluminium with vented design
- CE, FCC, EMC, EU, ISO certified

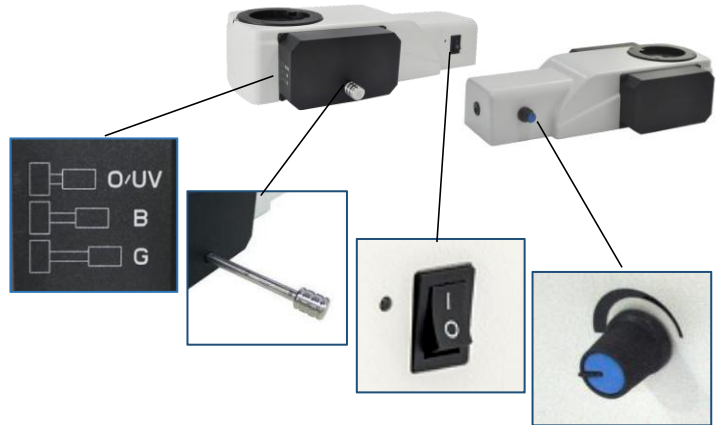
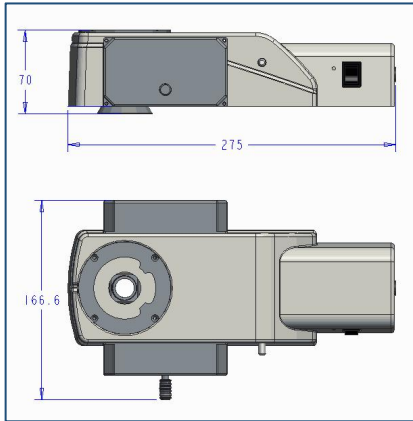
### Applications:

- Botany
- Clinical diagnose
- Immuno fluorescence
- Tuberculosis sputum slide
- Skin and foot fungus
- Food microorganism
- Respiratory disease
- Sperm analysis
- Fluorochrome stained slide

### Compatible with different brands microscope



## Dimension



## With light barrier



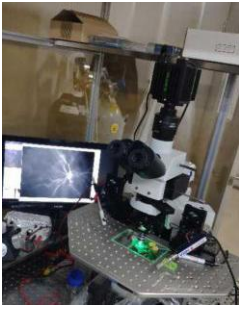
Item No.	LED lamps	Filter Groups	Compatible microscopes
MF-B-LED	Blue	Blue	Olympus CX/BX Nikon Eclips/E100/E200/Ci-L Leica DM500/DM750/DM1000 Zeiss PrimoStar /A1 Sunny EX30 Motic BA310/Panthera C
MF-RB-LED	Royal blue	Royal blue	
MF-G-LED	Green	Green	
MF-UV-LED	UV	UV	
MF-BG-LED	Blue and Green	Blue and Green	
MF-BU-LED	Blue and UV	Blue and UV	
MF-BGU-LED	Blue, green and UV	Blue, green and UV	

## Specification

Model	LED lamp	Filter wavelength			Recommend Application
		Excitation	Dichroic mirror	Emission	
B	Blue	475/40nm	>500nm	535/45nm	GFP / FITC /EGFP/ Malaria diagnostic/ Alexa 488 / Cy2@ / Fluo-4 / FluorX@ / Fluoro-Jade
RB	Royal blue	420-480nm	>500nm	510nmLP	Tuberculosis Diagnostic
G	Green	525/45nm	>560nm	595/60nm	PI / EB / EH
	Yellow	560/40nm	>600nm	610nmLP	mCherry / Texas Red / AlexaFluor 594
U	UV	330-380nm	>400nm	420nmLP	DAPI / Hoechst 33342&33258 / AMCA/AMCA-X / Alexa 350
<b>Light source</b>		Blue &UV: 3W LED cold lamp for each filter group Green: 6W LED cold lamp for each filter group Yellow: 5W LED cold lamp for each filter group			
<b>Observation</b>		Fluorescence Bright field & phase contrast by microscope original lighting			
<b>Operation</b>		Lever : B, G, UV/O (bright field)			
<b>Power control</b>		Rota-table knob, continuously adjustable brightness			
<b>Input power</b>		12V 2A			
<b>Shell</b>		High rigid precision-cast aluminium with coating			
<b>Light baffle</b>		Orange color plastic light baffle			
<b>Remark*</b>		Single excitation mode are long pass filter			
Optional LED lamp and Filters					
LED	Filter type	Excitation filter	Dichroic mirror	Emission filter	Remark
Blue	Long-pass	460-490nm	>500nm	510nmLP	Chroma filters are optional
Green	Long-pass	510-550nm	>570nm	590nmLP	
Yellow	Band-pass	560/40nm	600nmLP	635/60nm	
UV	Band-pass	350/50nm	>400nm	460/50nm	
Violet	Long-pass	400/40nm	430nmLP	460nmLP	

---

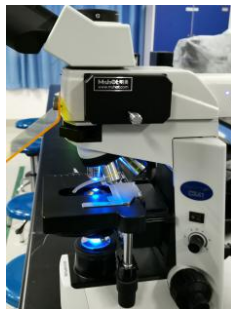
## Cases



Olympus BX51



Olympus CX43



Olympus CX41



Olympus CX33



Olympus CX23



Nikon CiL



Nikon E200



Leica DM2000



Leica DM750



Leica DM500



Zeiss A1



PrimoStar

Sample images

